

Model 5054 — **Bradex**[®]

- Controlled Delivery
- Single Roll (For Dual Roll see Model 5224)

Product Materials

UNIT: heavy-duty satin chrome-plated steel.

Capacity

One standard core toilet tissue roll through 6" in diameter.

Operation

Remove tissue roll core to access special locking mechanism for servicing. Tension spring controls paper delivery.

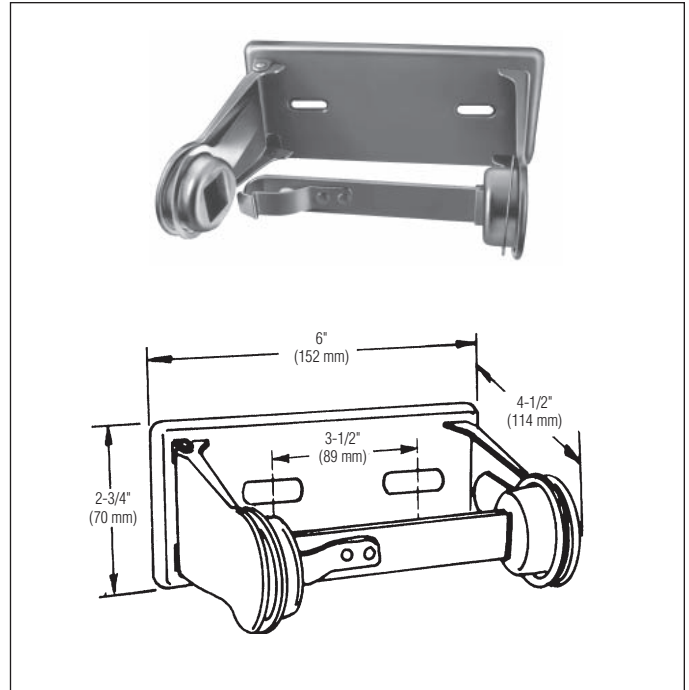
Installation

Verify all rough-in dimensions prior to installation. Secure to wall with mounting screws (included) at holes provided.

Guide Specification

Surface-mounted toilet tissue dispenser shall be heavy-duty chrome-plated steel and hold one standard core toilet tissue roll. Tension spring controls paper delivery.

Overall dimensions: 6"W x 2-3/4"H x 4-1/2"D.



Washroom Accessories
Document No. 8435

Orders composed of products indicated as **Bradex**[®] will be available to ship in three days after receipt of order at the factory. There is no pricing penalty for this service from Bradley. This information is subject to change without notice.

Always consult local and national codes for proper installation guidelines. Conformity and compliance to local and national codes is the responsibility of the installer.

4-1-2010

© 2010 Bradley Corporation
P.O. Box 309, Menomonee Falls, WI 53052-0309
Phone: 800.BRADLEY (800.272.3539) Fax: 262.253.4161
bradleycorp.com