



ABOUT THE PRODUCT:

Steelcraft’s DW Series drywall frames are designed for light to heavy duty applications in both commercial and institutional buildings. They can be installed in rough openings after the wall has been constructed and finished. They are installed in virtually all types of buildings in all interior drywall partition locations **using baseboards**. To accommodate the installation of the DW Series frames on finished drywall construction, they are supplied with a KD (knock-down) corner for quick installation.

INSTALLATION:

1. Installation shall conform to the published Steelcraft installation instructions, ANSI A250.11-2001 (formerly SDI 105) *Recommended Erection Instructions for Steel Frames and and HMMA 840*.
2. Fire Rated Assemblies must be in accordance with NFPA Pamphlet 80. The *Authority Having Jurisdiction* is the final authority in issues related to the installation and use of installed Fire Rated Doors.

FRAME APPLICATIONS

Profile	Steel Thickness	Wall Construction	Typical Wall Anchors
DW16	16 Gage [0.053" (1.3mm)]	Drywall Partitions with Wood or Steel Stud.	Compression jamb anchor(s) with adjustable Base Anchor Systems.
DW14	14 Gage [0.067" (1.7mm)]		

FEATURES AND BENEFITS:

Steelcraft DW Series drywall frames include unique features which enhance long-term functionality and durability.

1. **Quick and flexible installation** of Steelcraft’s DW Series drywall frames facilitates their installation in minutes and they can be relocated without damage to the frame.
2. **Die-mitered corner connections** of the DW Series Drywall Frame corners lock together once the frame is installed.
The tab/lock design:
 - a. prevents the head from rising
 - b. keeps the head and jamb members in alignment
 - c. keeps the miter tight
3. **Adjustable base anchors** allow for attachment directly to the wall sill runner, and facilitates installation adjustment when the floor is not level.
4. **Factory prepared** for field installed silencers.
5. **Factory applied baked-on rust inhibiting primer** in accordance with ANSI A250.10-1998 (R2004).

SPECIFICATION COMPLIANCE:

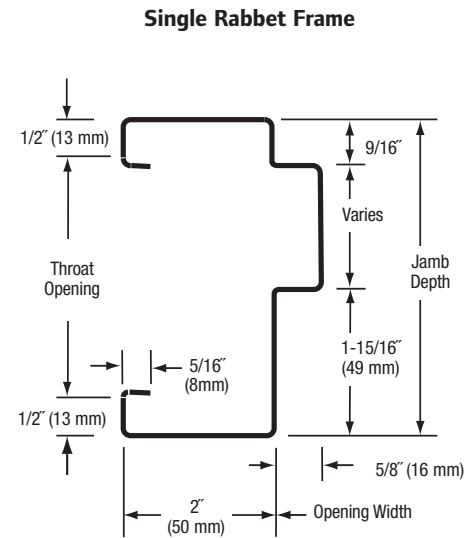
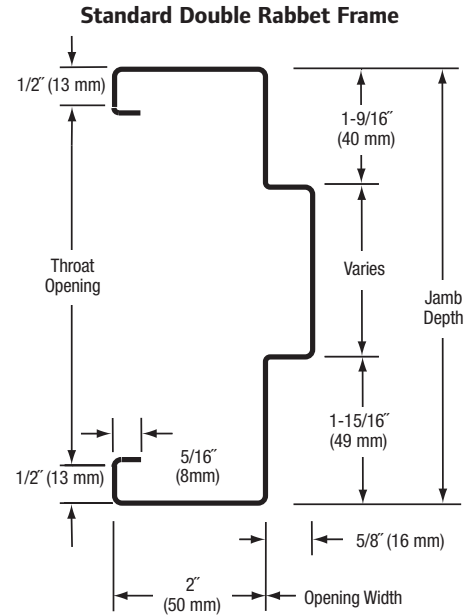
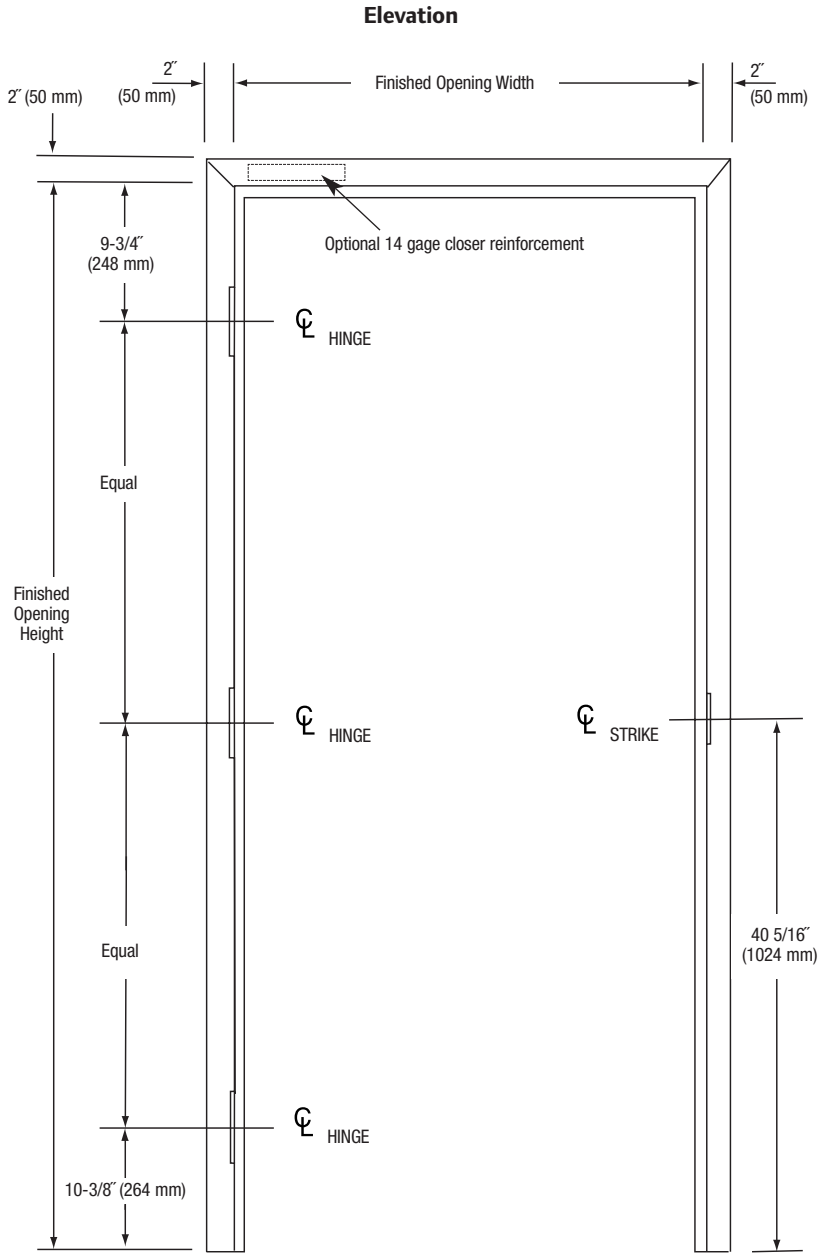
1. Overall frame construction for the Steelcraft DW Series Drywall Frames meet and exceed the requirements of ANSI A250.8-2003 (SDI-100).
2. Hardware preparations and reinforcements are in accordance with ANSI A250.6-2003. Locations are in accordance with ANSI/DHI A115 unless otherwise stated.

FIRE RATINGS:

The DW Series Drywall Frames meet the broadest fire rating requirements. They are listed for installations requiring compliance to both neutral pressure testing (ASTM E152 and UL 10B) and positive pressure standards (UBC 7-2 and UL 10C). Refer to the **Fire Rated Section** of this manual for particular listings.

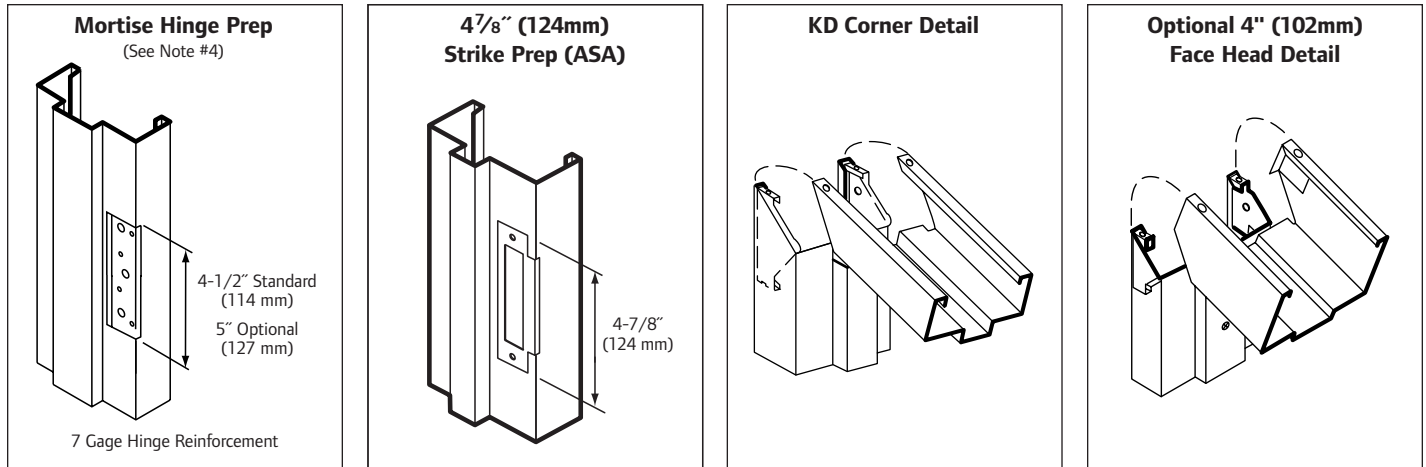
APPLICATIONS:

Steelcraft DW Series Drywall Frames are typically Installed in wall construction types as defined in the chart below:



FRAME SIZING OPTIONS

SERIES	MAXIMUM OPENING SIZE		JAMB DEPTH AVAILABILITY (profile)				STANDARD PROFILE DIMENSIONS (Variations Available)			CORNERS
	Single	Pair	SINGLE RABBET		DOUBLE RABBET		FACE	STOP	RETURNS	
			Minimum	Maximum	Minimum	Maximum				
DW16	4'-0" x 9'-0" (1219mm x 2743mm)	8'-0" x 9'-0" (2439mm x 2743mm)	3-1/4" (83mm)	4-3/8" (111mm)	4-1/2" (114mm)	14-3/4" (375mm)	2" (51mm)	5/8" (16mm)	1/2" (13mm)	DIE MITERED Wedge Lock Corner with interlocking soffit tab
DW14										



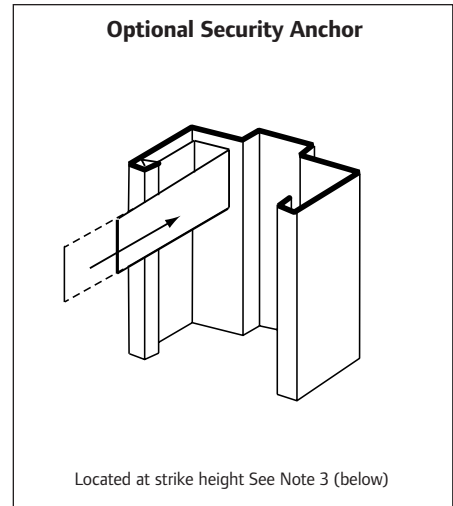
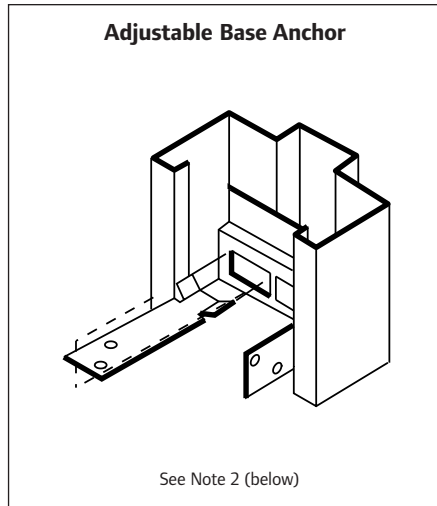
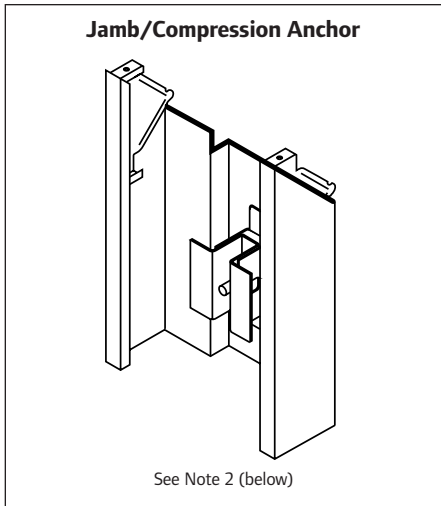
GENERAL NOTES:

- Variations in jamb depths available in 1/8" (3mm) increments.
- All DW Series frames are supplied standard with field adjustable compression anchors located near the top of each jamb and adjustable base anchors with twist-in strap base anchors in each jamb.
 - The compression anchor can be easily adjusted with a screw driver or power driver.
 - The lock-in base anchor system is provided for attachment directly to the floor runner (sill) when using wall baseboards.
- Depending on environmental and usage conditions, the steel used can be either cold rolled or galvanized. Galvanized steel is recommended in areas of high moisture.
- DW-Series frames are supplied standard with 4-1/2" standard duty hinge preps. Optional universal 4-1/2" or 5" hinge preps are available.

FRAME OPTIONS

SERIES	FRAME PROFILE		CORNER CONNECTIONS				4" (102mm) HEADS
			KD (Knock-Down)		SUA (Set-Up & Weld)		
	SINGLE RABBET	DOUBLE RABBET	SINGLE RABBET	DOUBLE RABBET	SINGLE RABBET	DOUBLE RABBET	
DW16	Typically for walls less than 3-3/4" (95mm) thick. Minimum wall thickness = 2" (51mm).	Typically for walls less than 3-3/4" (95mm) thickness or greater	Factory Die-Mitered, Soffit Tab included. Corner clip assembly screws required on labeled frames.		N/A	N/A	Die-mitered for use with 2" (51mm) face double rabbet jambs. Corner Clip assembly screws required.
DW14							

N/A = Not Available



Anchoring and Installation Notes:

- DW16-Series Drywall Frames** are supplied standard with field adjustable compression anchors in each jamb and adjustable base anchors. DW-Series Frames are designed especially for use in installations using wall baseboards.
- For anchoring applications, refer to section 2.4 of this manual.**
 - Masonry wall – Not recommended
- Optional security anchor** – Security anchors are recommended in frames over 8'0" (2438mm) high or in frames installed in areas where security is a priority. Locate the security anchor immediately above or below the strike reinforcements, and on both faces of the jamb. Anchors may be used in both the strike and hinge jamb. Also recommend to be used in the head of frames for pairs.
- Grouting of the DW-Series Frames is not recommended.**
- Installation Caution Notice** – After the frame pieces are slid over the wall, the frame is squared by adjusting the compression anchor screws located in the soffit of the jambs. Turning the screw clockwise will tighten the frame. Check to insure the opening is plumb.
- Installation shall conform to the published Steelcraft installation instructions, SDI 105 *Recommended Installation Instructions for Steel Frames*.
- All fire rated frames must be installed in accordance with NFPA Pamphlet 80 and the *Authority Having Jurisdiction*.

FRAMING APPLICATIONS

SERIES	Steel Type	Building Type	Opening	Usage Frequency ¹	KD ⁴ Corner	SUA Corner	Applications
DW16	Non-Galvannealed ²	Institutional and Commercial	Interior	Heavy to Extra Heavy Duty	✓	N/A	Typical interior building conditions with base boards
	Galvannealed ³						
DW14	Non-Galvannealed ²	Institutional and Commercial		Extra Heavy to Maximum Duty	✓	N/A	
	Galvannealed ³						

¹ Usage frequency is based on ANSI A250.8-2003

² Commercial quality carbon steel

³ Reinforcements for galvannealed frames are also galvannealed

⁴ Knock-Down for field assembly prior to installation