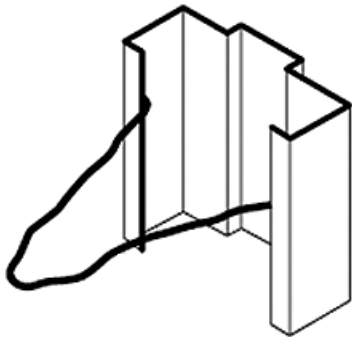
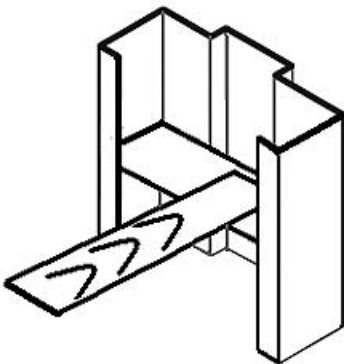


WIRE MASONRY ANCHORS



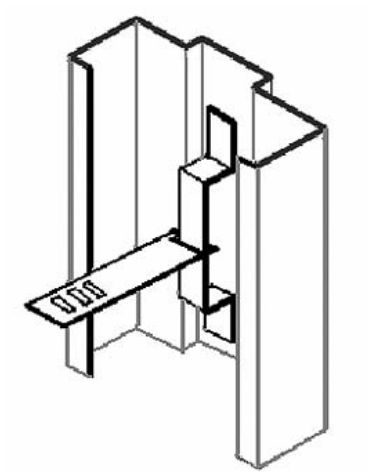
- | | |
|------------------------------|--|
| 1. Material | 3/16" (5mm) dia. wire |
| 2. Supplied | Shipped loose for field installation |
| 3. Applicable Frame Series: | F, FN, MU, FE, DE |
| 4. Profile variations: | SR – Single Rabbet
DR – Double Rabbet (equal & unequal)
CO – Cased Open
NOTE – profile must have back bends |
| 5. Frame depths | 3" through 14-3/4" |
| 6. Face variations | Fits all face variations |
| 7. Frame attachment: | Lock-in |
| 8. Application: | Ship loose to jobsite, field installed |
| 9. Wall construction: | Masonry block or brick |
| 10. Fire label applications: | UL/WH 3 hour max. |
| 11. Base anchor | See #2.4.12 for base anchor details |

MASONRY T-ANCHORS



- | | |
|------------------------------|---|
| 1. Material | 18 Ga. Galvannealed Steel |
| 2. Supplied | Shipped loose for field installation |
| 3. Applicable Frame Series: | F, FN, MU, FE, DE |
| 4. Profile variations: | SR – Single Rabbet
DR – Double Rabbet (equal & unequal)
CO – Cased Open
NOTE – profile must have backbends |
| 5. Frame depths | All frame depths
Ordered specifically to fit frame depths |
| 6. Face variations | Fits all face variations |
| 7. Frame attachment: | Lock-in |
| 8. Application: | Ship loose to jobsite, field installed |
| 9. Wall construction: | Masonry block or brick |
| 10. Fire label applications: | UL/WH 3 hour max. |
| 11. Base anchor | See #2.4.12 for sill anchor details |

YOKE & STRAP MASONRY ANCHORS



- | | |
|------------------------------|--|
| 1. Material | 18 Ga. Galvannealed Steel |
| 2. Supplied | Factory welded in prior to shipment |
| 3. Applicable Frame Series: | F, FN, MU, FE, DE |
| 4. Profile variations: | SR – Single Rabbet
DR – Double Rabbet (equal & unequal)
CO – Cased Open |
| 5. Frame depths | All frame depths
For frame depths over 12-3/4" 2 anchors welded at each anchor location |
| 6. Face variations | Fits all face variations
Ordered specifically to fit face |
| 7. Frame attachment: | Arrives to jobsite welded into frame |
| 8. Application: | Factory welded |
| 9. Wall construction: | Masonry block or brick |
| 10. Fire label applications: | UL/WH 3 hour max. |
| 11. Base anchor | See #2.4.12 for sill anchor details |