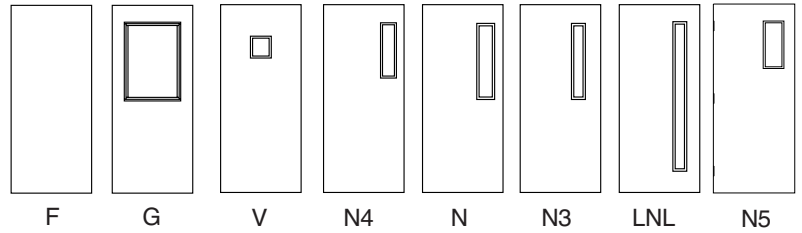
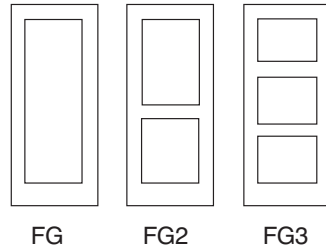


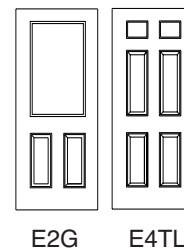
Full Flush Doors (L, B and T-Series)



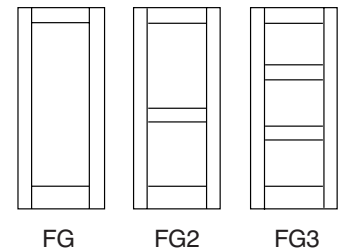
Flush Doors (L-Series)



Embossed Panel Doors (CE-Series)



Stile and Rail Doors (A-Series)



GLASS LIGHTS:

Steelcraft doors can be specified and supplied with various glass options depending on the architectural and applications needs.

DOOR DESIGNS FOR FULL FLUSH DOORS:

The glass configuration is referred to as the door design. Letter designations describe the glass light designs. A brief description of the standard glass light available:

- **F – Flush door:** designation for a door without any glass light installed.
- **G – Half Glass door:** designation for a door with a glass light located in the top half of the door face. The glass size will vary with the size of the door. However, for special sized doors, the next smaller glass size will be supplied.
- **V – Vision Light door:** designation for a door with a small square window located in the top of the door. The glass size will remain constant regardless of the door size.
- **N – Narrow Light door:** designation for a door with a long narrow light located along the lock edge of the door. The following variations in the Narrow light designs are available as standard:
 - N-Light:** door prepared for a 7³/₈" (187mm) wide glass light (exposed glass size) which varies in height depending on the door height.
 - N3-Light:** door prepared for a 3" (76mm) wide and 33" (838mm) high glass light (exposed glass size).
 - N4-Light:** door prepared for a 4" (102mm) wide and 25" (635mm) high glass light (exposed glass size).
 - N5-Light:** door prepared for a 5" (127mm) wide and 20" (508mm) high glass light (exposed glass size).
 - LNL-Light:** door prepared for an 7³/₈" (187mm) wide glass light (exposed glass size) which extends the majority of the door height, and varies in height depending on the door height.
- **FG–Full Glass L-Series doors:** designation for L-Series doors with a full view window, glass extending nearly the full door with and height. The following variations in Full Glass Light designs are available:
 - FG-Light:** door prepared for a full view window extending nearly the full width and height of the door.
 - FG2-Light:** variation of the FG-Light which includes a stationary horizontal mid-rail dividing the window into two (2) individual lights.
 - FG3-Light:** variation of the FG-Light which includes two (2) stationary horizontal mid-rails, dividing the window into three (3) equal individual lights.

DOOR (LIGHT) DESIGNS FOR CE EMBOSSED DOORS:

Doors with glass cutouts specifically sized to fit into the CE-Series embossed door.

- **E2G:** designation for a door with a half glass light located in the top half of the door and two embossed patterns in the bottom half.
- **E4TL:** designation for a door with dual vision lights located in the top section of the door and four embossed patterns in the lower section.

DOOR (LIGHTS) DESIGNS FOR STILE AND RAIL DOORS:

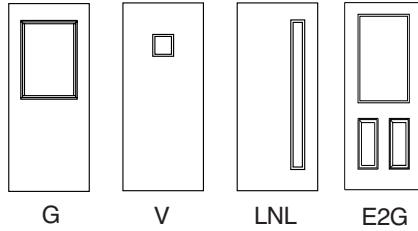
Doors with glass sections specifically sized to fit into the A-Series Stile and Rail door.

- **FG:** designation for a door with a full view window the full height of the door.
- **FG2:** designation for a door with a stationary horizontal mid-rail, dividing the window into two (2) individual lights.
- **FG3:** designation for a door with two (2) stationary horizontal mid-rails, dividing the window into three (3) individual lights.

GLAZING KIT OPTIONS:

Flush door glass kits for L, B, CE and T Series doors include the following glass trim systems.

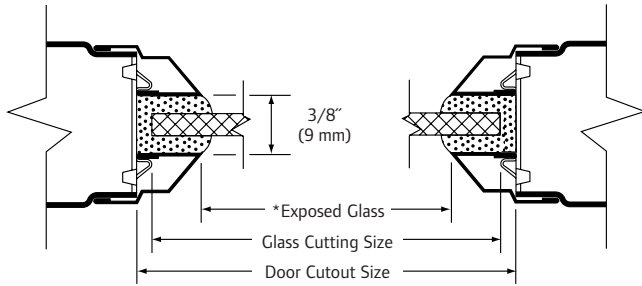
Full Flush Doors (L, B and T Series)



Dezigner® trim – This unique and patented trim is factory supplied recessed into the door face, to provide a neat flush door surface and is designed to accommodate:

Standard: 1/4" (6mm) thick glass

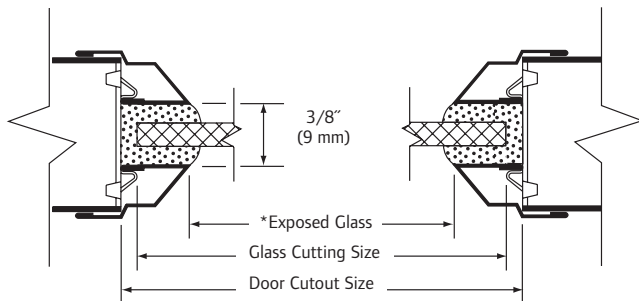
Optional: 1/2" (13mm) thick insulated glass



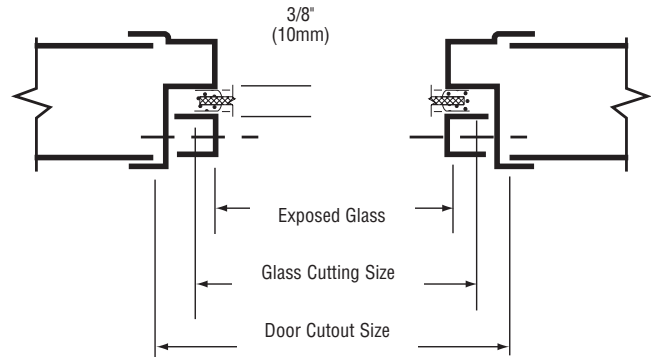
Dezigner® trim (distributor prepared and installed) – This trim application includes all the features of the Dezigner Trim except is not recessed into the door face. The trim is installed on the surface of the door face, like conventional hollow metal doors.

Standard: 1/4" (6mm) thick glass

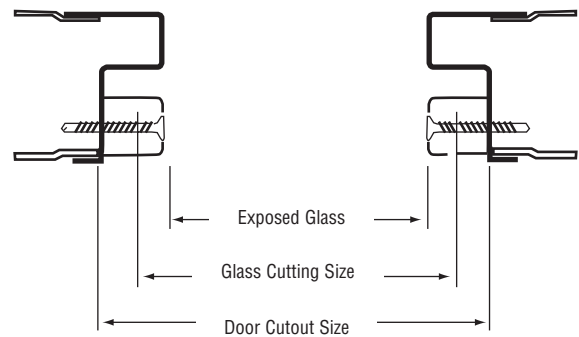
Optional: 1/2" (13mm) thick insulated glass



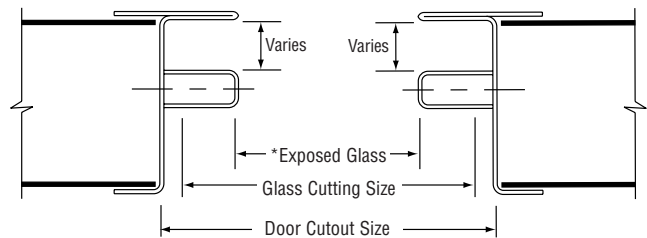
Conventional Trim – This conventional hollow metal glazing trim is factory supplied not recessed into the door face. The trim is installed on the surface of the door face. Glazing stops are screw attached



Flush Mounted Trim – This conventional hollow metal glazing trim is factory supplied recessed into the door face. Glazing stops are screw attached. Flush mounted trim is only available for 1/4" or 1" thick glass.



Insulated glass trim over 1/2" (13mm) thick – This option and specially designed over lapping steel trim can be supplied for glass thickness over 1/2" (13mm) thick and maximum 1" thick insulated glass.



Window Sizes and Designs:

All door lights covered in this section are Steelcraft standards. Special light sizes and configurations are available when specified. Refer to the following pages for specific details and dimensions of the various glass designs.