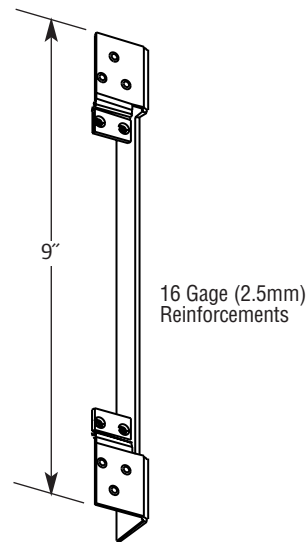
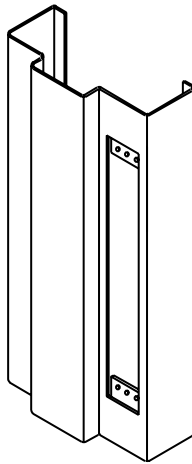


EPT POWER TRANSFER PREP

Typical Frame Preparation



GENERAL INFORMATION:

Power transfers are used to provide wiring to a swinging door for electric locks, exit devices etc.

DESCRIPTION:

Power Transfers are mortised into the door rabbet of the hinge jamb and into the hinge edges of the door.

REINFORCEMENT:

The reinforcements are 16-gage steel plates welded to the jamb. The plate is drilled and tapped for the necessary mounting screws. A dust (mortar) box or junction box is included with this preparation.

FIRE RATINGS:

EPT Power Transfers are considered auxiliary hardware items and can be used on in ratings from 20 minute to 3 hours.